

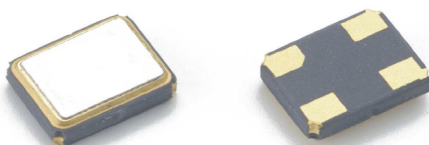
## SMD TYPE OSCILLATORS(3.2\*2.5mm)

### Application of SMD OSC:

- PCMCIA Card
- CCD
- Portable PC
- Wireless Lan



RoHS Compliance



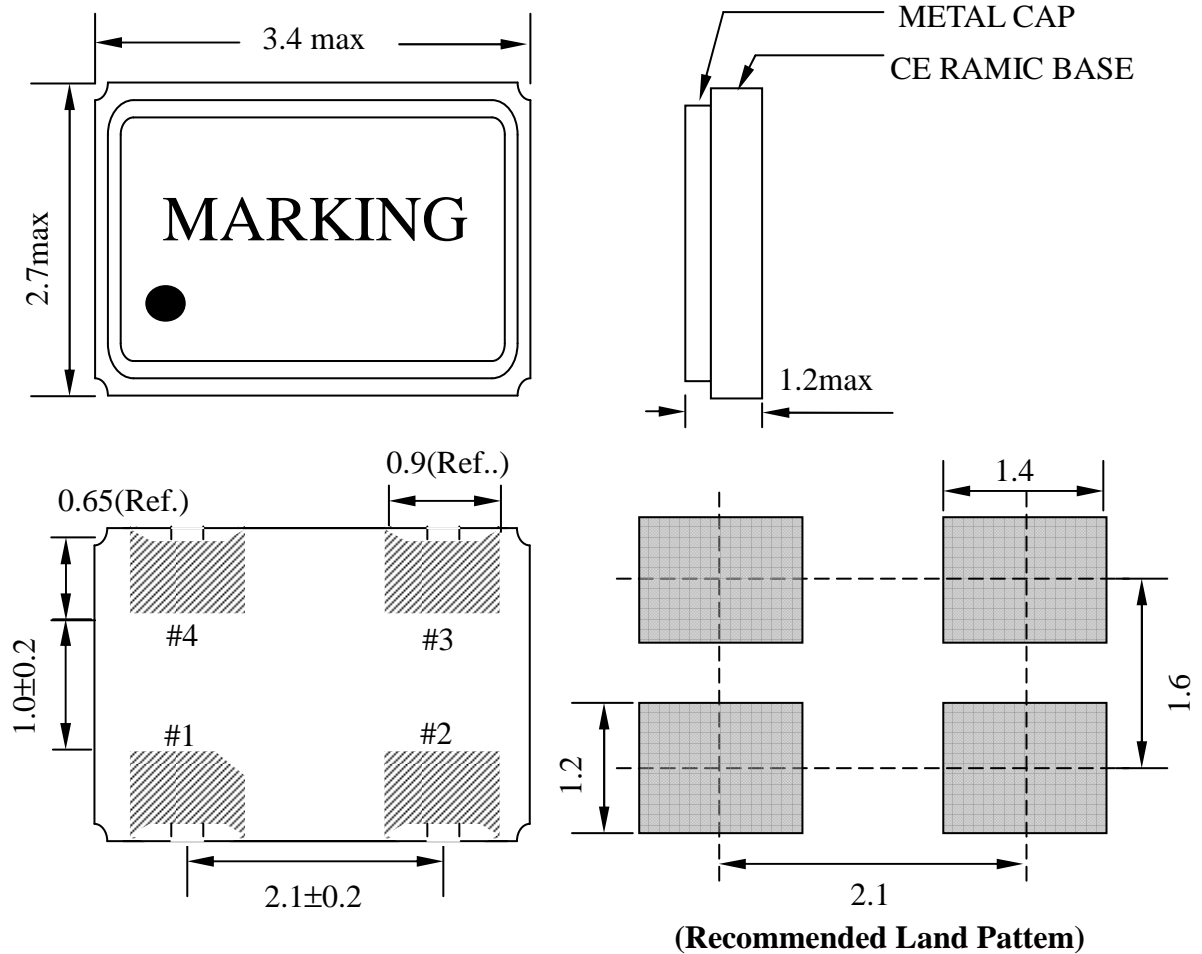
### {Features}

Seam welding  
Excellent solderability

### Electrical Specification:

Model		OSC/3225				
Frequency Range	MHz	2.0 ~ 54.0				
Frequency Stability	PPM	A:±100 B:±50 C: ±30 D: ±25				
Environmental Condition						
Operating Temp Range	°C	0 ~ 70 , -40 ~ 85				
Storage Temp Range		-55 ~ 125				
Power Supply Voltage	V DC	5.0V±10%	3.3V±10%	2.8V±5%	2.5V±5%	1.8V±5%
Output Level		CMOS				
Output Symmetry	%	40% ~ 60% or 45% ~ 55%(at 55% V DC)				
<b>Input Current</b>						
2.0 ~ 9.99 MHz	mA max	20	7	6	6	5
10.0 ~ 19.99 MHz		20	7	8	8	6
20.0 ~ 31.99 MHz		25	12	8	8	6
32.0 ~ 49.99 MHz		35	20	20	20	15
50.0 ~ 53.99 MHz		50	20	20	20	15
54.0 ~ 79.99 MHz		50	30		20	15
80.0 ~ 99.99 MHz			40		28	15
100.0 ~ 125.0 MHz			40		28	15
<b>Rise and Fall Time</b>						
2.0 ~ 9.99 MHz	ns max	15	20	5	5	7
10.0 ~ 19.99 MHz		15	15	5	5	7
20.0 ~ 31.99 MHz		15	10	5	5	6
32.0 ~ 49.99 MHz		15	10	5	5	6
50.0 ~ 54.0 MHz		10	10	5	5	6
54.0 ~ 79.99 MHz		10	6		5	5
80.0 ~ 99.99 MHz		4	5		4	5
100.0 ~ 125.0 MHz		4	4		4	5
<b>Output Load</b>		15 pF				

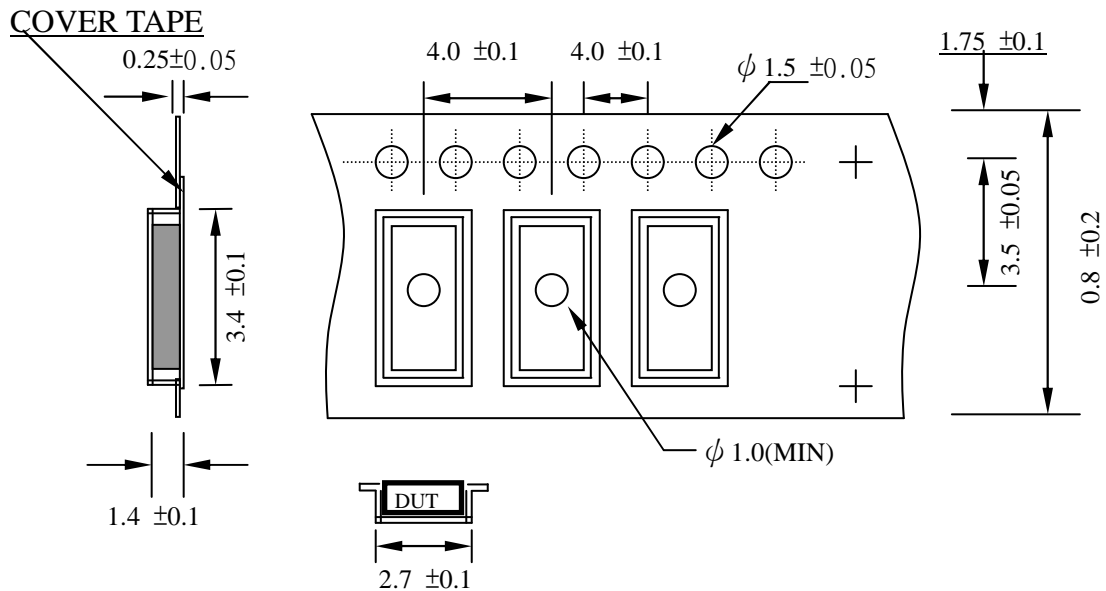
**Dimensions (mm):**



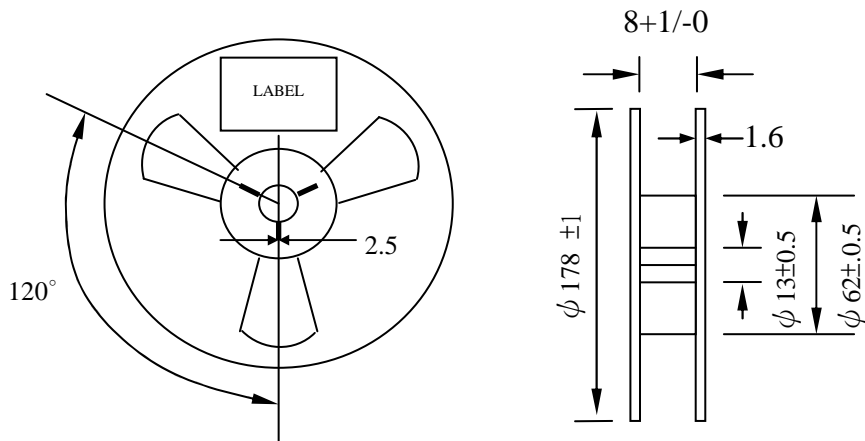
**#1: ENABLE / DISABLE FUNTION**

INH (PIN 1)	→	OUTPUT (PIN 3)	# NO.: define	
High (OPEN)	→	Operating	#4: VDD	#3: OUTPUT
LOW	→	High impedance	#1: E/D	#2: GND

**Tape specification (mm):**



## Reel packing (mm):



**TOLERANCE :  $\pm 0.2$ (mm)**

## Reflow Temperature Profile:

